

# Mounting a GoPro Camera to a 2016 BMW R1200RS Motorcycle

Richard Clompus, OD  
Trinidad, CA

# GoPro Camera

- Wide angle 4K resolution extreme sports camera
- Captures still images, video and sound to share the adventure of motorcycling with others
- Remote control with GoPro remote, Apple Watch and iPhone



# Mounting Choices


- There are many choices to mount a GoPro camera to an RS
- Helmet mounts were out due to air flow interference
- I wanted a stable mount that didn't detract the sporty appearance of the bike if a camera was not attached



# BMW GE Emotion Bracket

- Lorenzo from Italy offers two different GoPro mounts that attach to to the left front LED turn signal
- This model will work with the left side panel of the RS
- <http://www.bmwgsemotion.com/accing1.htm>

**GOPRO SUPPORT TURN SIGNAL**




Bracket for GoPro mounted on the turn signal in black powder coated metal.

**Price euro 45,00**

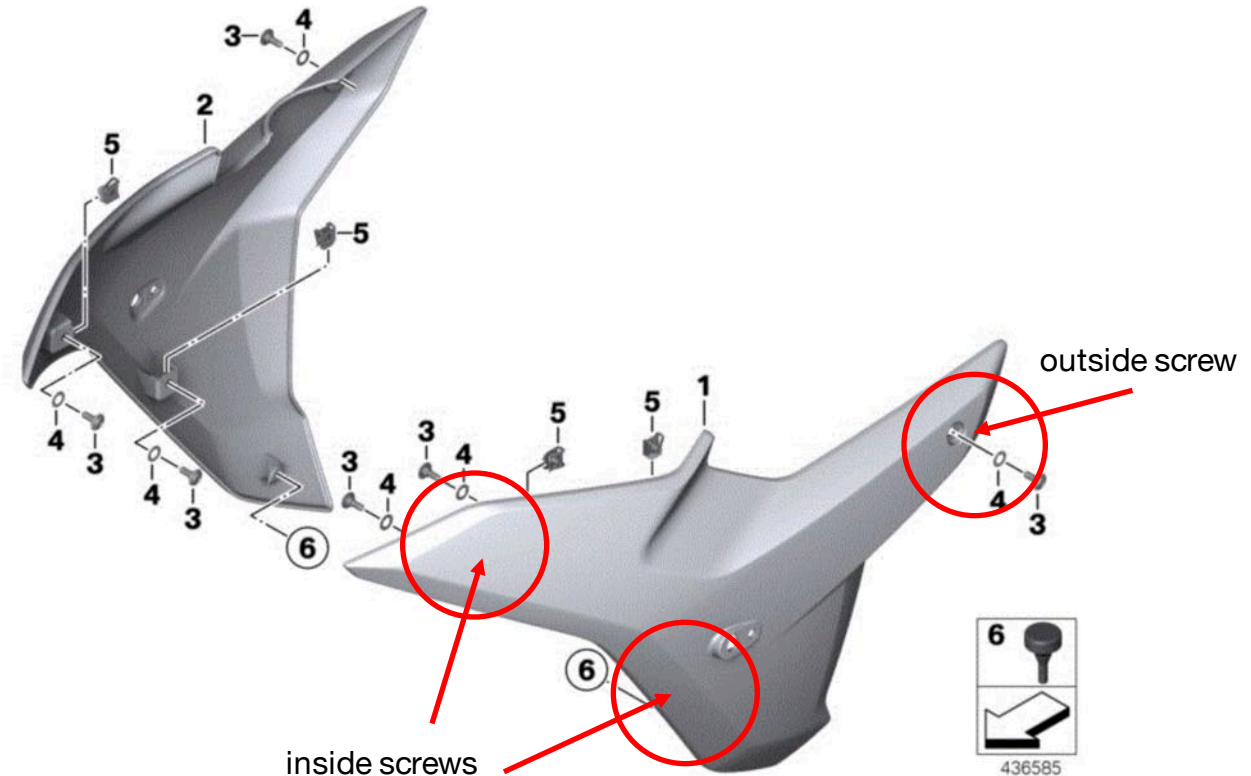
<http://www.bmwgsemotion.com/accing1.html>

**Video Test**



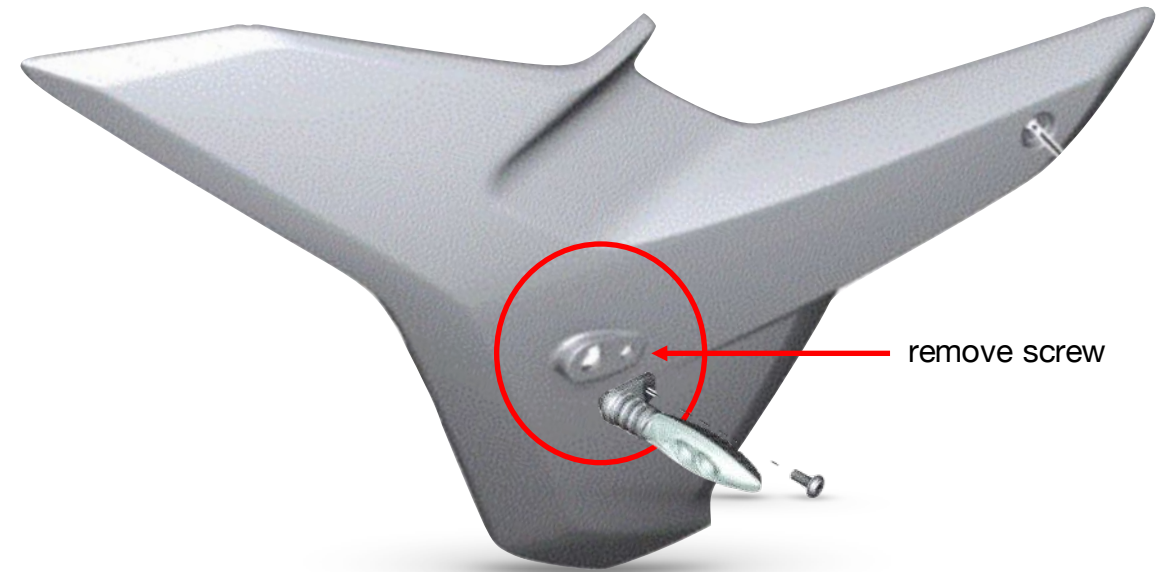
# Removing the Outer Fairing Panel

- You need to remove the outside left front fairing panel by removing three torx screws
- The left turn signal can remain attached to the panel for this procedure
- It is not necessary to remove the inside panel that attaches to the body

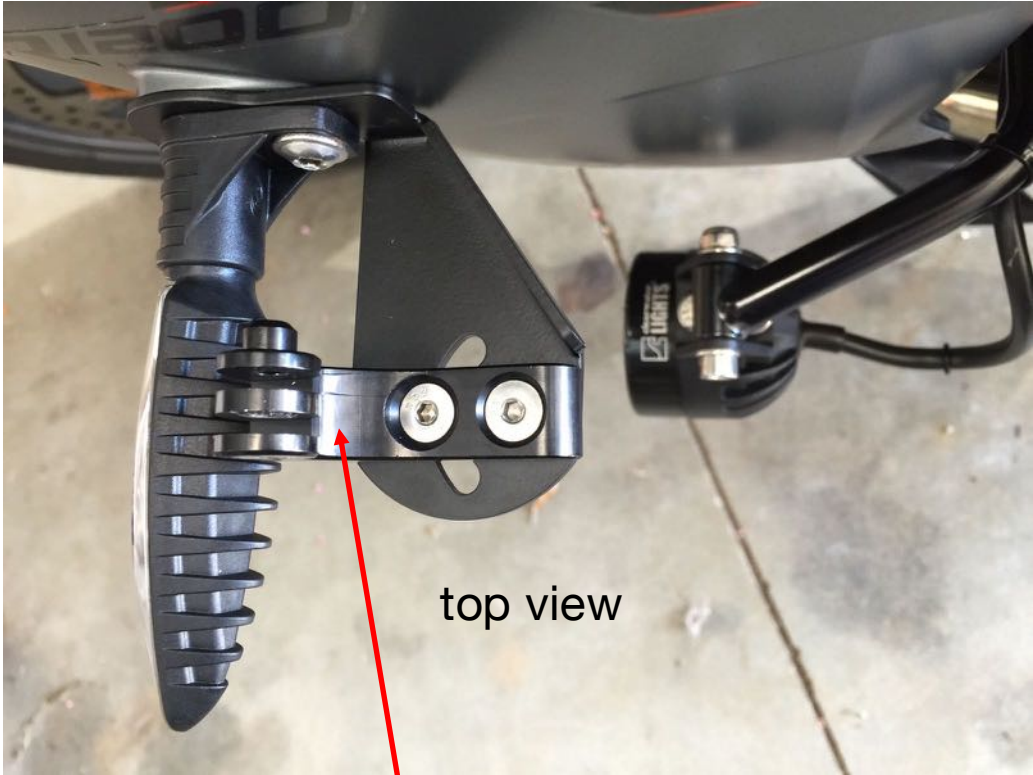


# Attaching Bracket

- Hold the nut on the inside of the removed panel with a socket wrench and remove the screw securing the LED turn signal
- Gently pull the plastic base of the turn signal about 2-3mm away from the fairing panel and insert the metal bracket in between the fairing panel and the base of the turn signal base
- Tighten the screw and nut securing the turn signal and bracket to the fairing panel
- Reinstall the fairing panel by securing it with the 3 torx screws removed earlier (one outside, two inside)



# Attached Bracket



top view



side view

A metal ringed mounting piece is included and connects the standard GoPro housing to the metal bracket

# Optional Accessories

- The camera works very well mounted directly to the bracket using the standard GoPro camera housing
- There is left/right adjustment to aim the camera by loosening both screws on the bracket and then re-tighten
- One option is to insert an 45mm aluminum extension to elevate and move the camera forward from Fotodiox available from Amazon for \$14.00 USD





# Optional Accessories

- Another option is to add anodized aluminum thumbscrews from CamKix
- The red helps me remember to check the fittings and make sure the knobs are tightened before setting out on an adventure. They supply a small plastic ring tool that is very effective in tightening the knobs
- A set of three knobs available from Amazon for \$ 9.99 USD.



# Fully Assembled Bracket with Housing



front view



side view

The camera almost disappears from view when riding. Most people don't notice the camera until you point it out to them.

# The Bracket That Wouldn't fit

- Lorenzo from BMW GS Emotion makes two brackets
- The bracket on the bottom of the photo may fit a GS but it will not fit the curved body panel of the RS
- This is the correct shape of the bracket that works with the RS fairing panel used for this project



Ride safe and share your pucker moments with your riding buddies