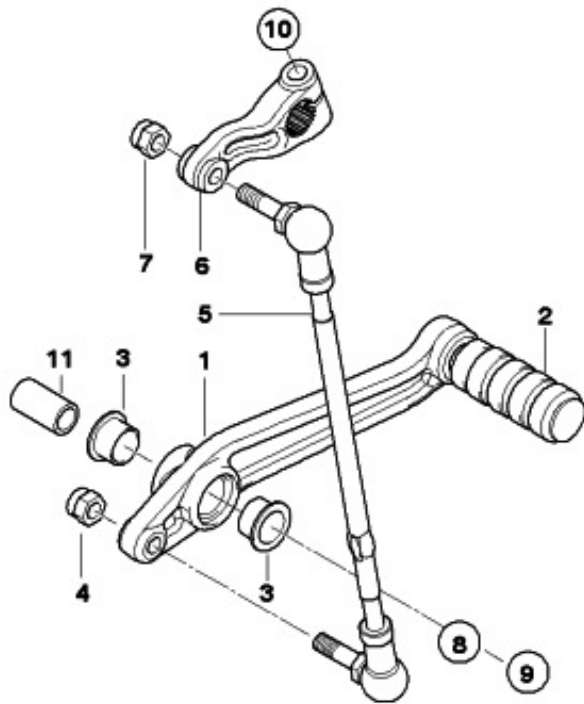


23\_0974 - SHIFT LEVER

Zoom Print



#	Part Number	Description	lb	Qty	Each
01	23417685681	FOOT SHIFT LEVER	0.19	1	\$109.32
02	23417680761	BUSHING	0.01	1	\$6.49
03	23417691702	BUSH		2	\$4.00
04	07129905373	HEX NUT - M6-A2-70		1	\$0.88
05	23417660166	SELECTOR ROD - L=209MM	0.22	1	\$95.77
06	23417660329	SHIFT LEVER	0.04	1	\$46.98
07	07129905372	HEX NUT - M6-8-ZNFE SW		1	\$0.88
08	07119903078	FLAT WASHER - S8 ZNS3		1	\$0.50
09	34117672808	OVAL HEAD SCREW - ISA M8X35 MK	0.03	1	\$1.80
10	07129903970	ASA-BOLT - M6X25	0.01	1	\$2.00
11	23417688371	BUSH	0.02	1	\$13.53